

SHOP DRAWING NAME

ARCHITECT

GENERAL CONTRACTOR

EQUIPMENT SUPPLIED BY:

SPECIFICATIONS

VL-120
2 LANDING
VERTICAL LIFT

CAR 36"Dx48"Wx42"H CODE(S) 5
CAPACITY 750 LBS. AT 10 F.P.M.
FINISH: BEIGE

- ALL DOORS MUST BE INTERLOCKED
- KEYSWITCH OPERATION
- AUTO FOLD RAMP
- STATIONARY RAMP
- LANDING GATE w/ INTERLOCK
- PLATFORM GATE WITH INTERLOCK
- EMERGENCY ALARM
- EMERGENCY STOP
- MANUAL LOWERING
- PLATFORM SAFETY MECHANISM
- INSTANT REVERSE
- LIMIT SWITCHES
- ENCLOSURE DOORS BY INCOA
- ENCLOSURE BY INCOA

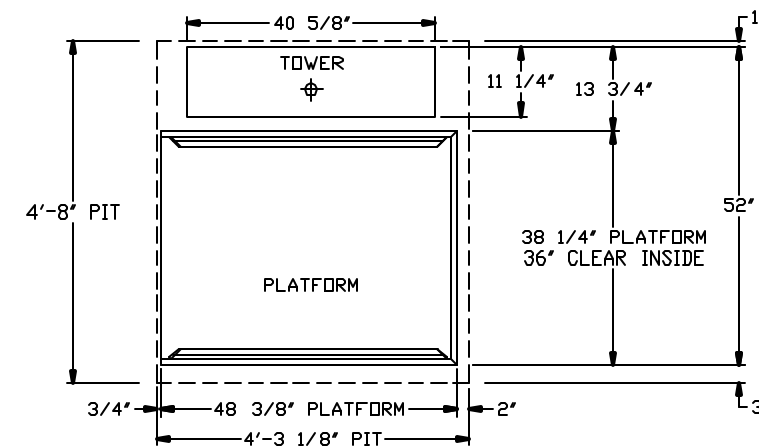
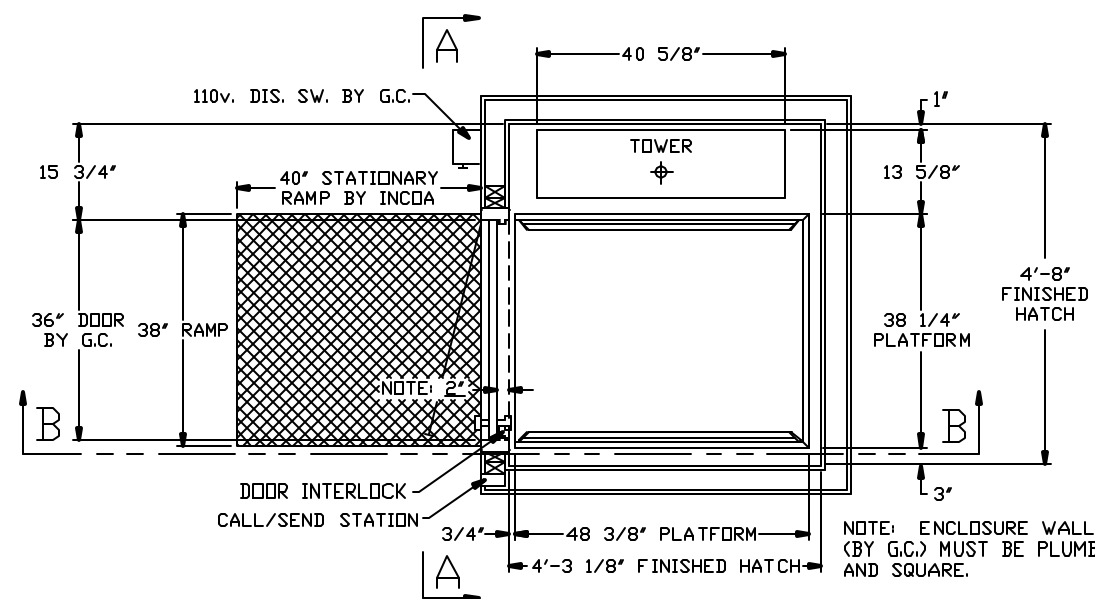
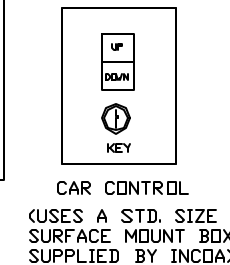
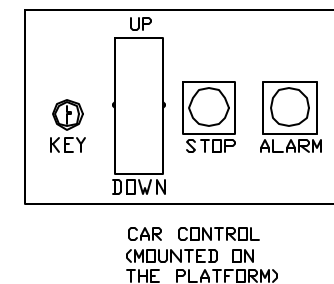
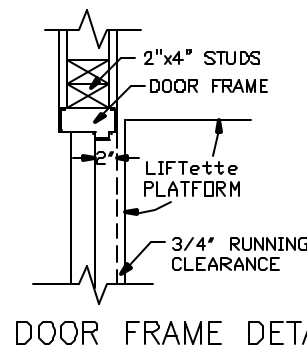
NOTICE TO ELECTRICAL CONTRACTOR:
INSTALL 110V. SINGLE PHASE
DISCONNECT SWITCH

1 H.P. MOTOR 120V. SINGLE PHASE
60 CYCLE
20 AMP MAIN LINE FUSE

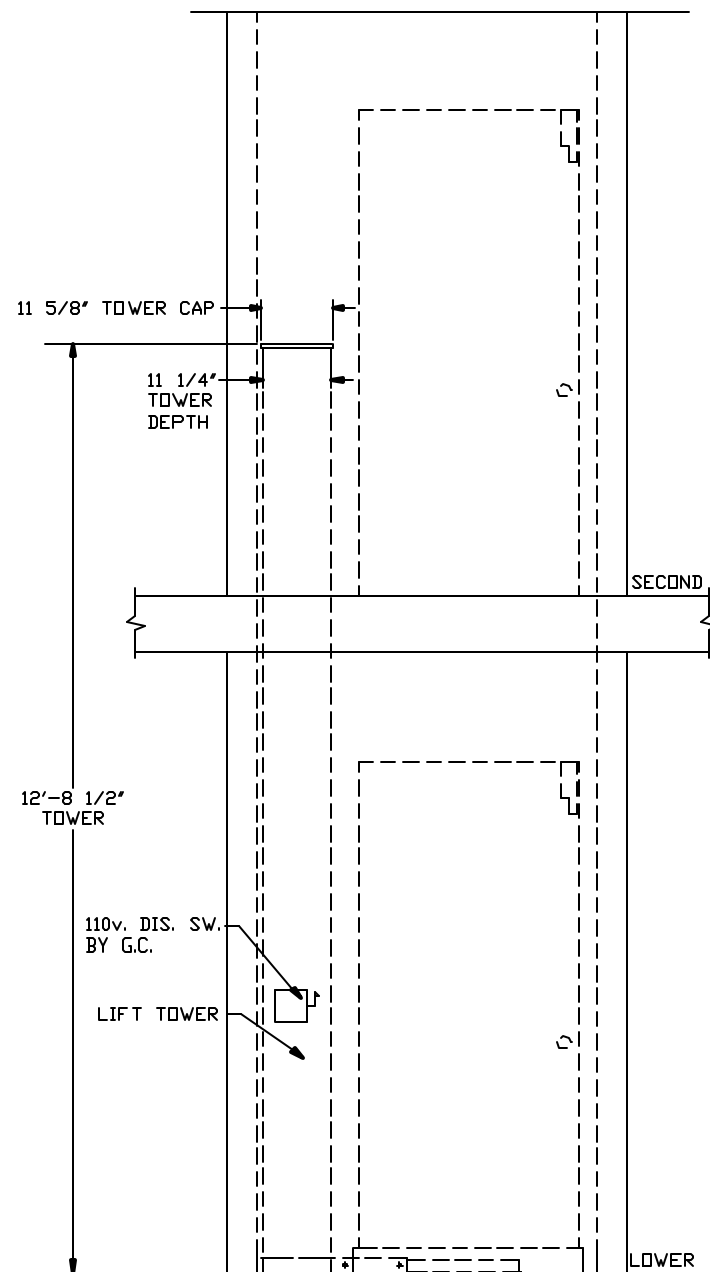
DRAWING BY:
DATE:

DRAWING IDENTIFICATION NUMBER

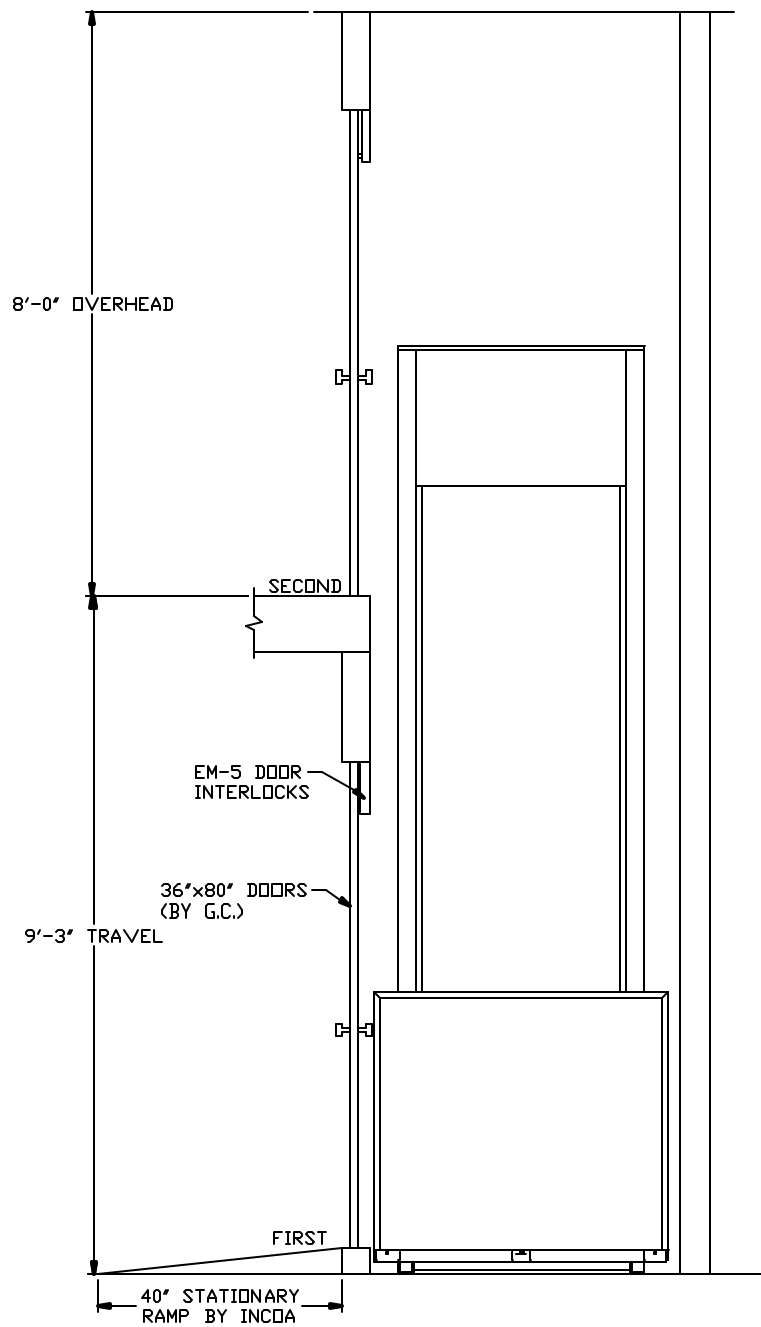
L0192T



PLATFORM AND TOWER FOOTPRINT



SECTION A-A



SECTION B-B